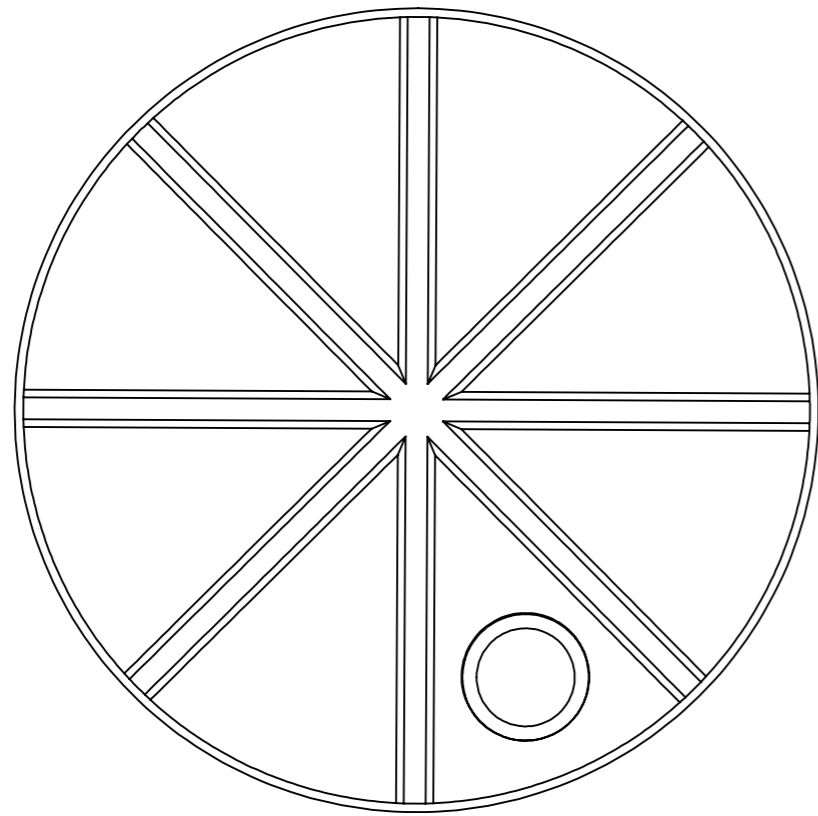
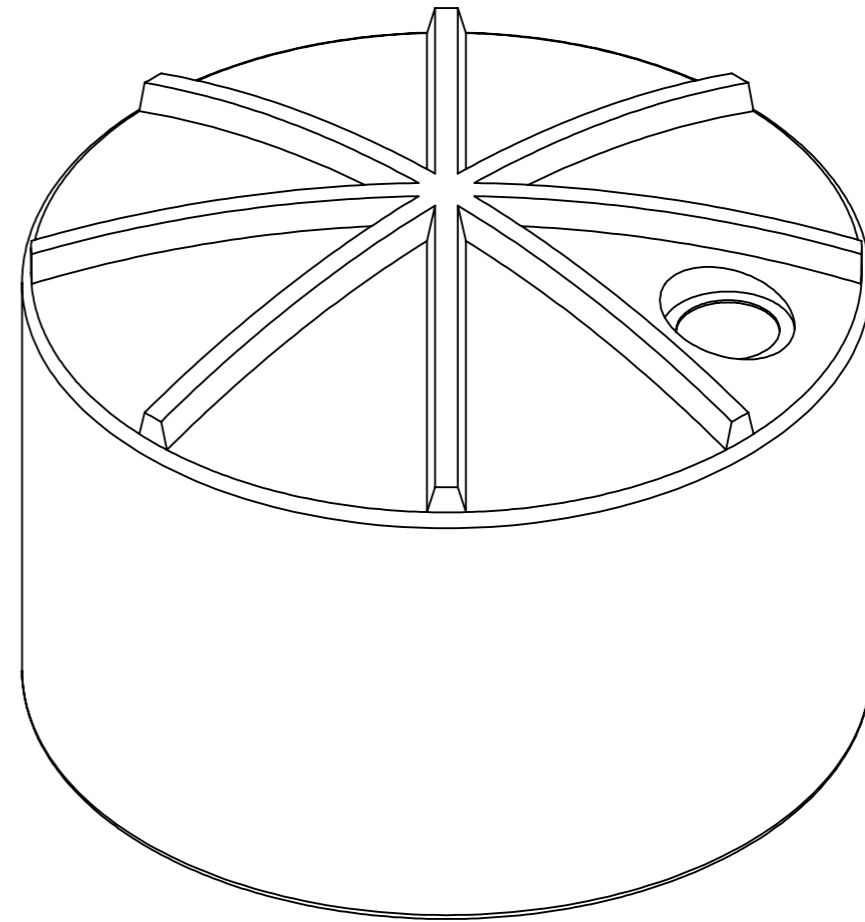
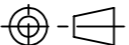



	1	2	3	4 ▽	5	6	7																								
A	<div style="display: flex; justify-content: space-around;">   </div>																														
B																															
C ▽																															
D																															
E	<table border="1"> <tr> <td>E</td> <td>-</td> <td>-</td> <td>-</td> </tr> <tr> <td>D</td> <td>-</td> <td>-</td> <td>-</td> </tr> <tr> <td>C</td> <td>-</td> <td>-</td> <td>-</td> </tr> <tr> <td>B</td> <td>-</td> <td>-</td> <td>-</td> </tr> <tr> <td>A</td> <td>COMMENTS</td> <td>AB</td> <td>DATE</td> </tr> <tr> <td>REV.</td> <td>COMMENT</td> <td>DR'N</td> <td>DATE</td> </tr> </table>	E	-	-	-	D	-	-	-	C	-	-	-	B	-	-	-	A	COMMENTS	AB	DATE	REV.	COMMENT	DR'N	DATE	<p><b>COPYRIGHT</b></p> <p>THIS DRAWING REMAINS THE PROPERTY OF: BERRY DESIGN P/L THE CONTENTS OF THIS DRAWING IS STRICTLY CONFIDENTIAL AND MAY NOT BE REPRODUCED, IN WHOLE OR PART, WITHOUT WRITTEN APPROVAL OF THE OWNER.</p>	<p>SHEET SIZE <b>A3</b></p> <p>THIRD ANGLE PROJECTION</p> 		<p>TITLE <b>22,700 Litre Round Tank</b></p>	<p>CUSTOMER <b>Q Tank</b></p> <p>DRAWING No. <b>Dwg No. PJ1371-003 IND</b></p> <p>CAD FILE NAME Q Tank Round Tank Range</p>	<p>REVISION <b>A</b></p> <p>SHEET No. <b>1 OF 1</b></p>
E	-	-	-																												
D	-	-	-																												
C	-	-	-																												
B	-	-	-																												
A	COMMENTS	AB	DATE																												
REV.	COMMENT	DR'N	DATE																												
	1	2	3	4 ▽	5	6	7																								